

Scaled data based on original data using
LM-79-08 Approved Method: Electrical and Photometric Measurements of Solid-State
Lighting Products

Test Report Prepared for
Cooper Lighting Solutions
(formerly Eaton)

Brand: STREETWORKS

Report Number: P571654

Luminaire Tested: **UFLD-CA2-180-722-U-66-TS2_UFLD**

Issue Date: 9/21/2021

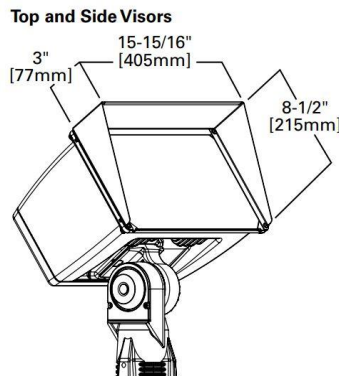
Test Information

Test Method: LM-79-08
Report Number: P571654
TEST IS SCALED FROM IESNA LM-79-08 TEST DATA (G2-2109-378-4)
Test Lab: COOPER LIGHTING SOLUTIONS
Issue Date: 9/21/2021
Manufacturer: COOPER LIGHTING SOLUTIONS (FORMERLY EATON)
Product Line: STREETWORKS
Catalog Number: UFLD-CA2-180-722-U-66-TS2_UFLD
Description: FLOOD LIGHT, 6x6 OPTIC WITH TOP AND SIDE VISOR
Light Source: (2) 2200K CCT, 70 CRI LEDS
Ballast/Driver: -

Summary

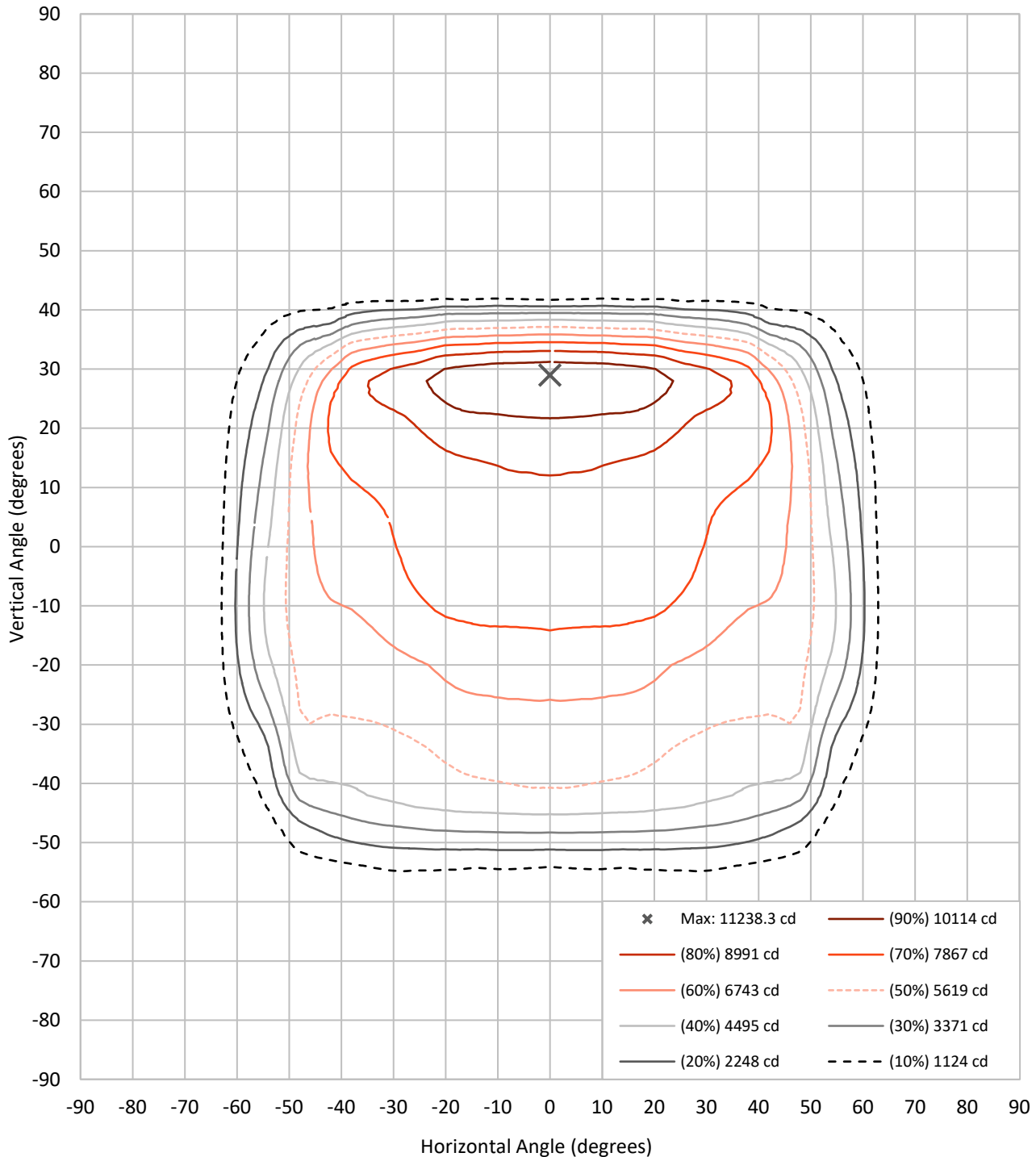
Lumens per Lamp:	N/A	NEMA Type:	6H x 5V
Luminaire Lumens:	18574 lumens	Max Intensity:	11238.3 candela
Efficiency:	N/A	Max Intensity Angle:	0°H x 29°V
Efficacy:	101.6 lumens/watt		
Luminous Opening:	Rectangular (W 1.25' x L: 0.67' x H: 0')		
Beam Angle (50%):	91.9°H x 77.9°V	Field Angle (10%):	119.5°H x 95.8°V
Beam Lumens:	14299.6 lumens	Field Lumens:	18099.6 lumens
Beam Efficiency:	77.0%	Field Efficiency:	97.4%

Input Watts (W): 182.8
Input Voltage (V): 120
Input Current (Ain): NR
Voltage Rise (V): NR
Power Factor: NR
Total Harmonic Distortion (THDi): NR
Frequency (hertz): 60
Stabilization Time: NR
Operation Time: NR
Ambient Temperature (°C): NR
Test Distance: 25 FT



REPORT NUMBER: P571654
CATALOG NUMBER: UFLD-CA2-180-722-U-66-TS2_UFLD

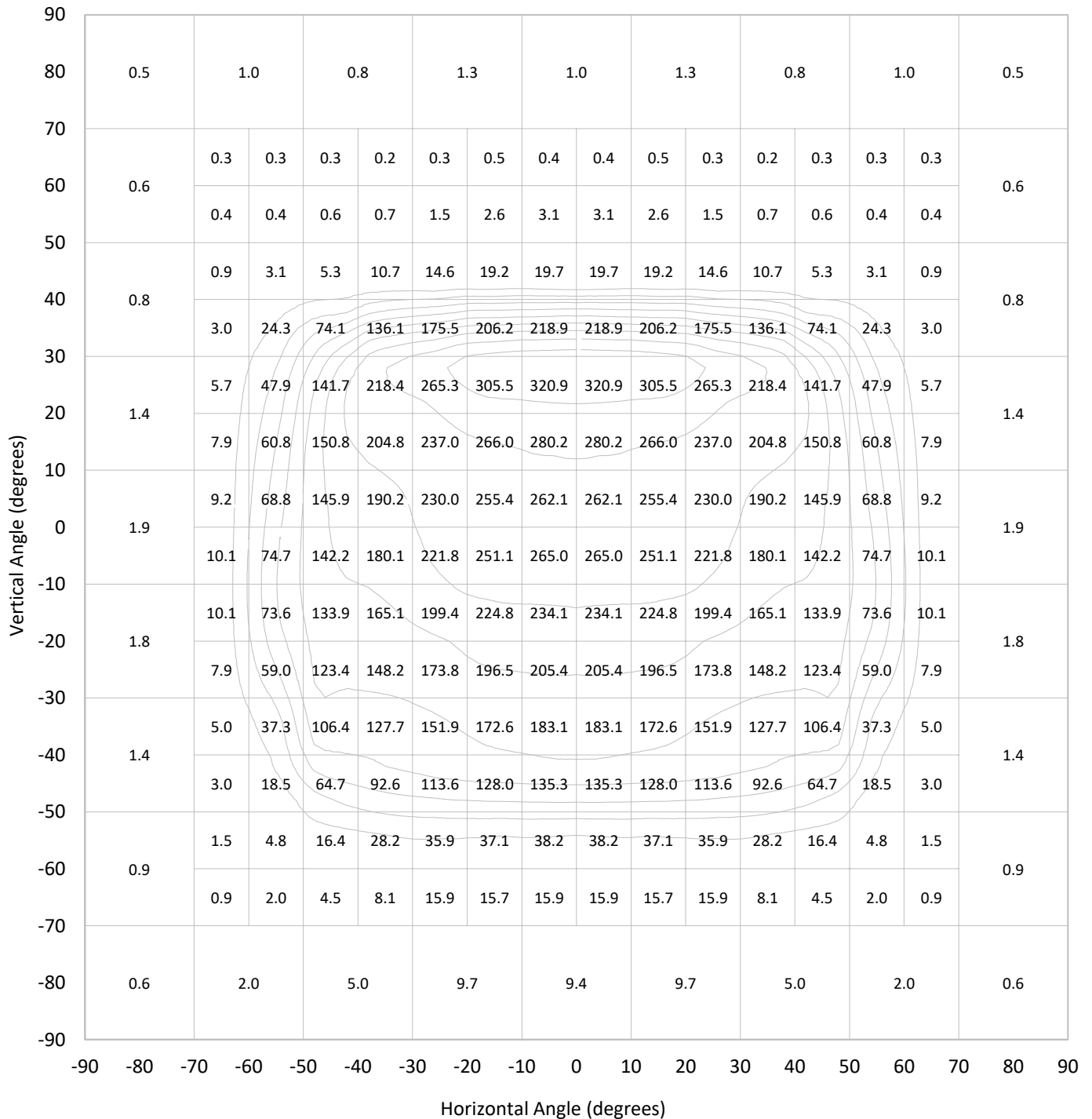
Iso-Candela Plot





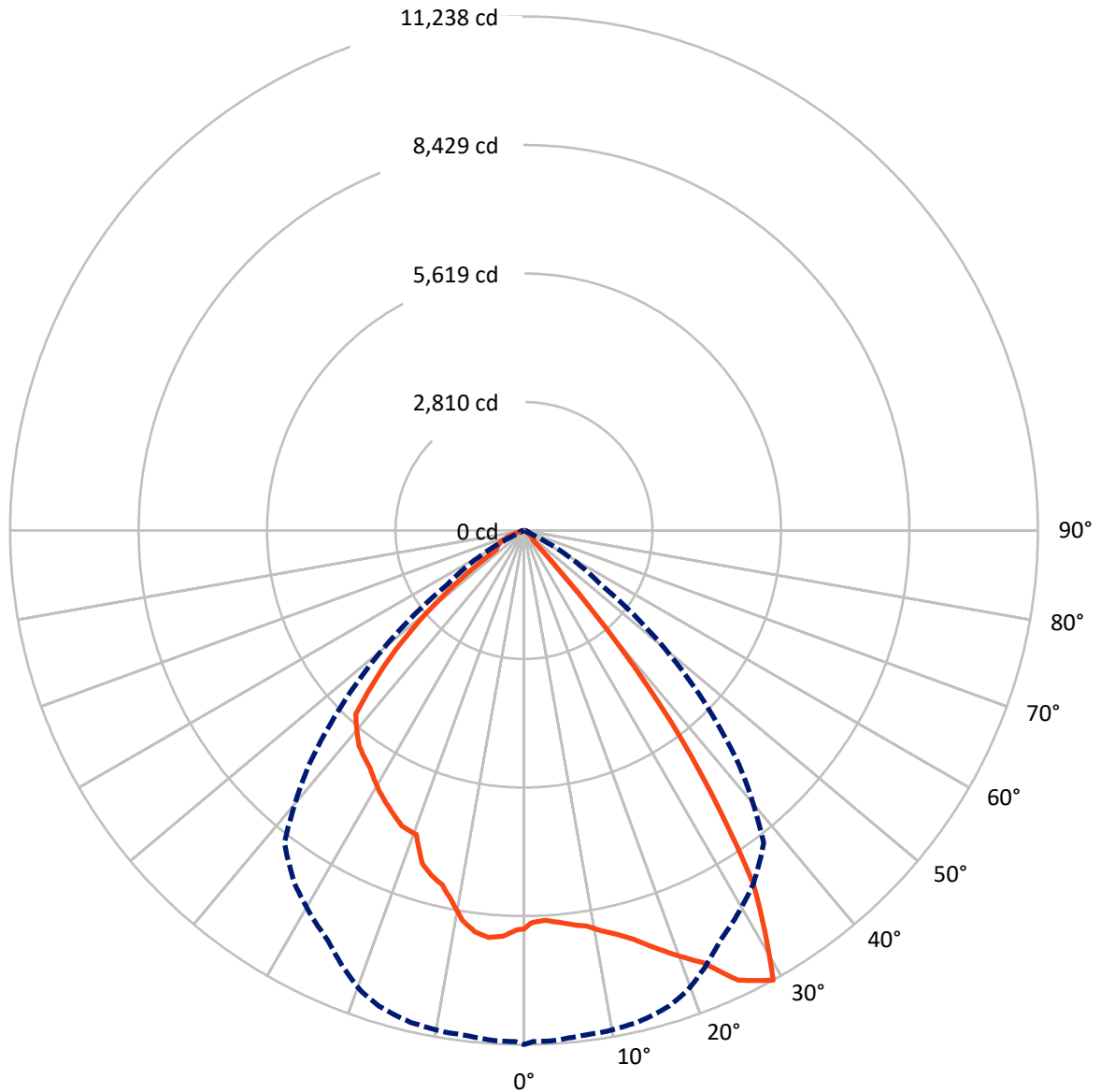
REPORT NUMBER: P571654
 CATALOG NUMBER: UFLD-CA2-180-722-U-66-TS2_UFLD

Lumen Table



REPORT NUMBER: P571654
CATALOG NUMBER: UFLD-CA2-180-722-U-66-TS2_UFLD

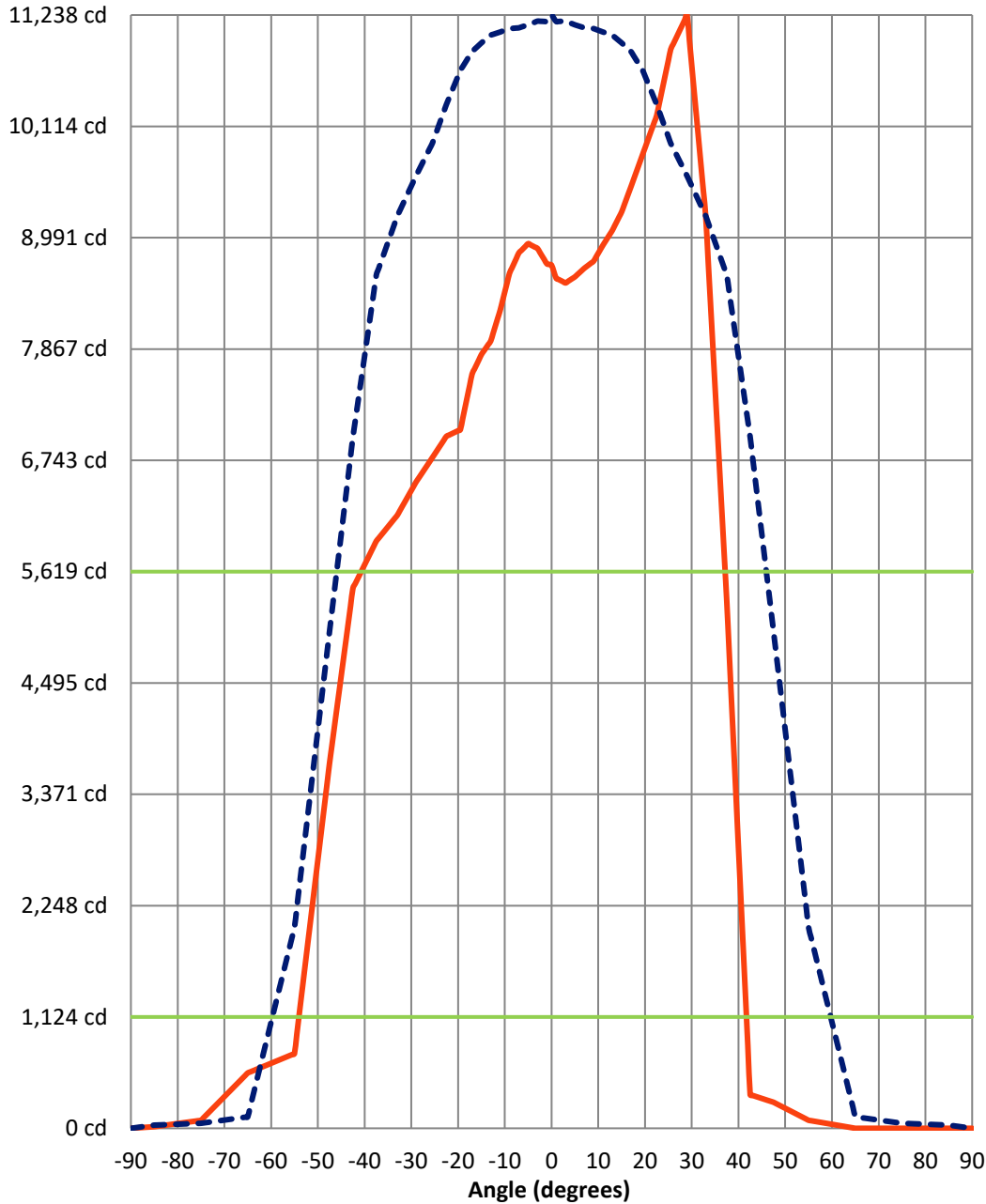
Luminous Intensity Polar Plot



— Vertical Distribution Through 0-Deg - - - Horizontal Distribution Through 29-Deg

REPORT NUMBER: P571654
 CATALOG NUMBER: UFLD-CA2-180-722-U-66-TS2_UFLD

Luminous Intensity Plot



Beam:
 H Angle: 91.9°
 V Angle: 77.9°
 Lumens: 14299.6
 Efficiency: 77.0%

Field:
 H Angle: 119.5°
 V Angle: 95.8°
 Lumens: 18099.6
 Efficiency: 97.4%

Spill:
 Lumens: 474.4
 Efficiency: 2.6%

— Vertical Distribution through 0-Deg
 - - - Horizontal Distribution through 29-Deg



REPORT NUMBER: P571654
 CATALOG NUMBER: UFLD-CA2-180-722-U-66-TS2_UFLD

FIELD
 BEAM

CANDELA DISTRIBUTION:

	0°	1°	3°	5°	7°	9°	11°	13°	15°	17°	19.5°
90°	0.0	0.0	0.0	0.0	0.0	0.0	0.0	0.0	0.0	0.0	0.0
85°	0.0	5.1	12.7	16.1	16.9	18.6	18.6	20.3	20.3	19.4	18.6
75°	0.0	1.7	5.1	7.6	9.3	11.0	11.8	11.8	11.8	11.0	11.0
65°	0.0	0.8	3.4	5.1	6.8	7.6	7.6	8.5	8.5	8.5	7.6
55°	81.1	83.7	82.0	81.1	81.1	79.5	76.1	71.0	65.1	65.9	61.7
47.5°	262.9	260.3	261.2	259.5	257.0	249.3	245.1	241.7	239.2	238.4	227.4
42.5°	339.8	350.8	382.9	451.4	524.0	601.8	606.0	546.9	475.0	396.4	551.9
37.5°	5315.7	5397.7	5289.5	5260.7	5117.9	5148.3	5123.0	5042.7	5036.8	5082.4	5026.6
33°	9201.2	9231.7	9175.0	9159.8	9130.2	9130.2	9098.1	8954.4	8850.5	8786.2	8765.9
29°	11238.3	11172.3	11176.6	11139.4	11108.9	11101.3	11066.7	11035.4	10956.8	10869.7	10679.6
25.5°	10891.7	10857.9	10874.0	10812.3	10801.3	10755.6	10759.9	10717.6	10660.1	10569.7	10366.8
22.5°	10223.1	10227.4	10224.8	10192.7	10180.9	10139.5	10089.6	10080.3	10075.2	10009.3	9861.4
19.5°	9831.8	9790.4	9776.0	9797.1	9761.6	9709.2	9652.6	9614.6	9568.9	9550.3	9495.4
17°	9505.5	9461.6	9481.0	9450.6	9426.9	9358.5	9298.4	9246.9	9223.2	9190.3	9110.0
15°	9250.3	9215.6	9209.7	9186.9	9204.6	9120.9	9085.4	9041.5	8993.3	8945.1	8880.0
13°	9063.5	9071.9	9057.5	8997.5	9024.6	8957.8	8913.9	8858.1	8817.5	8773.6	8737.2
11°	8914.7	8925.7	8868.2	8865.7	8878.4	8791.3	8778.6	8713.5	8690.7	8694.9	8597.7
9°	8753.3	8777.8	8798.1	8771.0	8751.6	8716.9	8696.6	8673.0	8629.9	8636.6	8612.1
7°	8681.4	8661.1	8656.1	8694.9	8664.5	8631.6	8596.9	8609.6	8618.0	8641.7	8612.1
5°	8595.2	8607.0	8614.6	8591.0	8586.8	8599.4	8577.5	8602.8	8610.4	8779.5	8831.9
3°	8533.5	8577.5	8554.6	8525.9	8546.2	8565.6	8611.3	8615.5	8697.5	8796.4	8825.1
1°	8580.8	8612.1	8614.6	8614.6	8634.9	8697.5	8702.6	8727.9	8787.9	8829.3	8852.2
0°	8713.5	8694.1	8705.9	8688.2	8737.2	8769.3	8773.6	8753.3	8797.2	8937.5	8937.5
-1°	8727.1	8735.5	8770.2	8779.5	8766.8	8806.5	8744.8	8749.9	8771.0	8853.8	8776.1
-3°	8881.7	8884.3	8880.0	8883.4	8863.1	8852.2	8809.0	8774.4	8724.5	8645.9	8580.0
-5°	8930.8	8936.7	8914.7	8904.6	8858.9	8785.4	8762.6	8703.4	8622.3	8534.3	8471.0
-7°	8836.1	8837.8	8766.8	8786.2	8711.0	8626.5	8568.2	8486.2	8427.8	8342.5	8279.1
-9°	8629.9	8599.4	8550.4	8535.2	8464.2	8360.2	8280.8	8219.1	8189.5	8139.6	8154.0
-11°	8256.3	8231.8	8234.3	8192.9	8138.8	8093.1	8054.3	8028.9	8011.1	7990.0	7959.6
-13°	7948.6	7935.9	7893.7	7906.3	7879.3	7888.6	7897.0	7886.9	7865.8	7837.9	7793.9
-15°	7810.8	7800.7	7782.1	7767.7	7765.2	7765.2	7761.8	7757.6	7739.0	7669.7	7602.1
-17°	7613.9	7588.5	7586.8	7582.6	7573.3	7578.4	7568.2	7550.5	7545.4	7498.9	7433.0
-19.5°	7053.5	7066.2	7064.5	7083.1	7062.8	7097.4	7110.1	7111.0	7084.8	7055.2	7000.2
-22.5°	6985.0	6946.1	6951.2	6962.2	6942.8	6935.2	6931.8	6935.2	6909.0	6874.3	6785.6
-25.5°	6770.3	6785.6	6786.4	6764.4	6767.8	6771.2	6731.5	6728.9	6702.7	6664.7	6568.3
-29°	6522.7	6532.0	6510.9	6512.5	6477.0	6461.8	6415.3	6388.3	6345.2	6319.8	6226.0
-33°	6188.8	6209.9	6190.5	6184.6	6149.9	6122.9	6084.0	6064.6	5996.1	5934.4	5864.2
-37.5°	5926.8	5903.1	5897.2	5909.0	5863.4	5848.2	5811.0	5778.9	5730.7	5670.7	5581.9
-42.5°	5450.1	5480.5	5469.5	5434.9	5415.4	5358.0	5335.1	5306.4	5287.8	5278.5	5177.9
-47.5°	3684.4	3700.4	3695.4	3683.5	3670.9	3665.8	3641.3	3621.8	3617.6	3602.4	3554.2
-55°	754.0	773.4	787.8	823.3	838.5	860.5	840.2	802.1	795.4	874.8	868.1
-65°	558.7	556.2	553.6	551.1	546.9	545.2	549.4	552.8	550.2	561.2	583.2
-75°	80.3	79.5	82.0	82.8	76.9	76.9	89.6	87.1	90.4	90.4	91.3
-85°	16.1	14.4	16.1	23.7	24.5	27.9	30.4	33.0	33.8	33.8	33.8
-90°	0.0	0.0	0.0	0.0	0.0	0.0	0.0	0.0	0.0	0.0	0.0



REPORT NUMBER: P571654
 CATALOG NUMBER: UFLD-CA2-180-722-U-66-TS2_UFLD

CANDELA DISTRIBUTION (continued):

	22.5°	25.5°	29°	33°	37.5°	42.5°	47.5°	55°	65°	75°	85°
90°	0.0	0.0	0.0	0.0	0.0	0.0	0.0	0.0	0.0	0.0	0.0
85°	16.9	15.2	13.5	11.8	10.1	11.0	12.7	16.1	22.8	26.2	28.7
75°	10.1	9.3	8.5	8.5	8.5	10.1	11.8	15.2	22.0	25.4	29.6
65°	7.6	6.8	5.9	5.9	5.9	7.6	11.8	16.1	22.8	26.2	29.6
55°	55.8	40.6	22.8	23.7	23.7	24.5	25.4	21.1	26.2	28.7	30.4
47.5°	193.6	136.9	82.8	65.1	65.1	56.6	49.0	37.2	48.2	31.3	30.4
42.5°	542.6	248.5	399.0	426.8	370.2	165.7	218.1	247.7	61.7	35.5	31.3
37.5°	4615.8	4419.7	4156.0	3936.3	3432.5	2166.3	1959.3	861.3	73.5	40.6	31.3
33°	8457.4	8004.4	7783.8	7327.4	6976.6	5106.1	3940.5	1465.6	96.4	45.6	32.1
29°	10334.7	9943.4	9613.7	9208.8	8611.3	6976.6	5015.6	2027.7	115.8	50.7	32.1
25.5°	10054.1	9736.3	9416.8	9117.6	8796.4	7703.5	5677.5	2433.4	134.4	56.6	32.1
22.5°	9575.7	9228.3	8932.5	8756.6	8574.9	7941.8	6030.8	2716.6	152.1	62.5	33.0
19.5°	9212.2	8902.9	8631.6	8452.4	8436.3	7984.1	6227.7	2946.5	173.3	72.7	33.0
17°	8882.6	8628.2	8410.9	8329.0	8369.5	7874.2	6371.4	3136.7	192.7	79.5	33.0
15°	8660.3	8460.0	8284.2	8264.7	8237.7	7750.0	6478.7	3298.1	208.8	82.8	33.0
13°	8559.7	8383.1	8246.1	8227.5	8071.2	7603.7	6537.1	3446.0	221.5	85.4	33.0
11°	8442.2	8324.7	8252.9	8105.8	7886.9	7419.5	6541.3	3574.5	234.1	89.6	33.0
9°	8462.5	8309.5	8195.4	7964.7	7706.9	7326.5	6541.3	3691.1	231.6	92.1	33.0
7°	8471.8	8329.0	8093.1	7824.3	7565.7	7234.4	6558.2	3806.9	220.6	95.5	33.0
5°	8515.8	8308.7	8042.4	7714.5	7449.9	7168.4	6503.2	3925.3	216.4	98.0	33.0
3°	8518.3	8307.0	8021.3	7605.4	7368.8	7105.9	6496.5	4026.7	215.5	98.9	33.8
1°	8520.8	8298.5	7955.4	7497.2	7299.5	7074.6	6487.2	4140.0	218.1	98.9	33.8
0°	8508.1	8260.5	7927.5	7470.2	7256.4	7051.0	6498.2	4200.0	219.8	97.2	33.8
-1°	8493.8	8208.9	7859.0	7432.2	7223.4	7041.7	6486.3	4259.1	219.8	96.4	33.8
-3°	8388.1	8124.4	7794.8	7396.7	7165.9	6985.9	6442.4	4360.6	226.5	96.4	33.8
-5°	8278.2	8029.7	7726.3	7301.1	7095.8	6917.4	6454.2	4420.6	229.9	96.4	33.8
-7°	8169.2	7909.7	7629.9	7258.9	6992.6	6814.3	6422.9	4498.3	230.7	95.5	33.8
-9°	7991.7	7766.9	7469.4	7104.2	6858.2	6738.2	6412.0	4537.2	232.4	95.5	33.8
-11°	7842.1	7575.0	7306.2	6969.0	6728.1	6612.3	6359.6	4532.2	234.1	94.7	33.8
-13°	7633.3	7395.0	7150.7	6832.9	6616.5	6468.6	6306.3	4501.7	233.3	95.5	33.8
-15°	7444.8	7211.6	6965.6	6716.2	6491.4	6316.4	6226.9	4432.4	233.3	95.5	33.8
-17°	7253.8	7028.1	6797.4	6557.3	6366.3	6226.9	6167.7	4301.4	231.6	94.7	33.8
-19.5°	6826.1	6654.5	6510.9	6379.8	6219.2	6056.1	6074.7	4063.9	225.7	94.7	33.8
-22.5°	6610.6	6435.6	6289.4	6157.5	6030.8	5869.3	5976.7	3703.8	216.4	93.0	33.8
-25.5°	6415.3	6247.1	6096.7	5965.7	5879.5	5780.6	5887.9	3237.3	207.1	91.3	33.8
-29°	6084.9	5946.2	5822.0	5691.8	5622.5	5581.1	5745.9	2613.5	200.3	87.9	33.0
-33°	5717.2	5598.8	5477.1	5301.3	5226.9	5227.8	5412.0	1832.5	196.1	82.8	33.0
-37.5°	5458.5	5327.5	5145.8	4951.4	4815.3	4839.8	4877.0	1433.5	198.6	75.2	33.0
-42.5°	5043.5	4973.4	4753.6	4563.4	4314.9	4063.0	3687.8	1070.9	174.1	62.5	33.0
-47.5°	3526.3	3424.9	3331.9	3226.3	2995.5	2578.8	1971.1	423.5	155.5	49.0	33.0
-55°	920.5	909.5	968.6	890.9	729.4	544.3	474.2	162.3	117.5	42.3	33.0
-65°	633.9	658.4	517.3	344.0	174.1	147.9	230.7	87.9	64.2	37.2	32.1
-75°	88.7	79.5	62.5	65.9	69.3	65.1	59.2	36.3	36.3	33.8	31.3
-85°	33.0	31.3	30.4	29.6	27.9	26.2	26.2	27.0	30.4	33.0	31.3
-90°	0.0	0.0	0.0	0.0	0.0	0.0	0.0	0.0	0.0	0.0	0.0



REPORT NUMBER: P571654
CATALOG NUMBER: UFLD-CA2-180-722-U-66-TS2_UFLD

CANDELA DISTRIBUTION (continued):

	90°
90°	0.0
85°	0.0
75°	0.0
65°	0.0
55°	0.0
47.5°	0.0
42.5°	0.0
37.5°	0.0
33°	0.0
29°	0.0
25.5°	0.0
22.5°	0.0
19.5°	0.0
17°	0.0
15°	0.0
13°	0.0
11°	0.0
9°	0.0
7°	0.0
5°	0.0
3°	0.0
1°	0.0
0°	0.0
-1°	0.0
-3°	0.0
-5°	0.0
-7°	0.0
-9°	0.0
-11°	0.0
-13°	0.0
-15°	0.0
-17°	0.0
-19.5°	0.0
-22.5°	0.0
-25.5°	0.0
-29°	0.0
-33°	0.0
-37.5°	0.0
-42.5°	0.0
-47.5°	0.0
-55°	0.0
-65°	0.0
-75°	0.0
-85°	0.0
-90°	0.0

(END OF REPORT)